

FEATURES

- Pad-mount version for valve piloting applications
- Incorporation in borers for machine tool manufacturers
- Suitable for dosing/filling applications and industrial washing machines
- Compact solenoid valve for easy installation
- Epoxy moulded coil for general service applications
- Two maximum pressure ratings depending on coil power
- Three manual operator versions
- Flexible installation on joinable subbases
- The solenoid valves satisfy all relevant EC directives

GENERAL

Differential pressure See «SPECIFICATIONS» [1 bar = 100 kPa]
Maximum viscosity 40 cSt (mm²/s)
Response time 8 - 20 ms

fluids (*)	temperature range (TS)	seal materials (*)
air, inert gas, water, oil	- 25°C to + 80°C	NBR (nitrile)

MATERIALS IN CONTACT WITH FLUID

(*) Ensure that the compatibility of the fluids in contact with the materials is verified

Body Brass
Internal parts, spring Stainless steel
Seat Brass
Seals NBR
Core guide POM
Shading coil Copper

ELECTRICAL CHARACTERISTICS

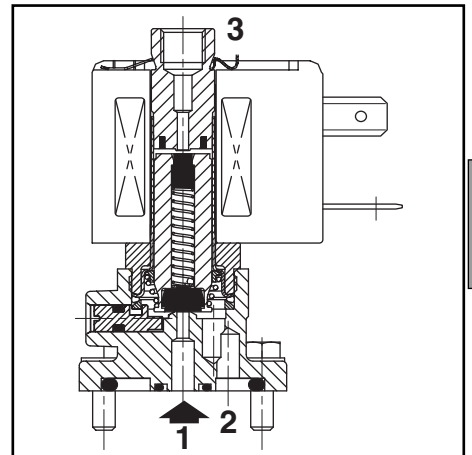
Coil insulation class F
Connector Spade plug (cable Ø 6-10 mm)
Connector specification ISO 4400 / EN 175301-803, form A
Electrical safety IEC 335
Electrical enclosure protection Moulded IP65 (EN 60529)
Standard voltages DC (=) : 24V - 48V
 (Other voltages and 60 Hz on request) AC (~) : 24V - 48V - 115V - 230V / 50 Hz

prefix option	power ratings				operator ambient temperature range (TS) (C°)	replacement coil		type ⁽¹⁾
	inrush ~	holding ~	hot/cold =			~	=	
	(VA)	(VA)	(W)	(W)		230 V/50 Hz	24 V DC	
SC	23	14	8	8 / 10,8	-25 to + 60	43005096	43005099	01
	55	23	10,5	9/11,2	-40 to + 60	400425-117	400425-142	02

⁽¹⁾ Refer to the dimensional drawings on the following page.

SPECIFICATIONS

pipe size	orifice size	flow coefficient Kv				operating pressure differential (bar)				power coil (W)		catalogue number		options			
		1 → 2		2 → 3		min.	max. (PS)		~	=	~	=	maintained man. operator	impulse man. operator	FPM	EPDM	
		(m ³ /h)	(l/min)	(m ³ /h)	(l/min)		air, water, oil (*)										
(G*)	(mm)	(m ³ /h)	(l/min)	(m ³ /h)	(l/min)		~	=	~	=	~	=					
NC - Normally closed																	
pad mounting	2	0,11	1,8	0,15	2,5	0	16	-	8	-	SCS374A001	-	MS	MO	V	E	
	2	0,11	1,8	0,15	2,5	0	-	8	-	10,8	-	SCS374A061	SCS374A061	MS	MO	V	E
	2	0,22	1,8	0,15	2,5	0	16	16	10,5	11,2	SCS374A016	SCS374A016	MS	MO	V	E	
	2,7	0,22	3,6	0,15	2,5	0	10	-	8	-	SCS374A002	-	MS	MO	V	E	
	2,7	0,22	3,6	0,15	2,5	0	-	5	-	10,8	-	SCS374A062	SCS374A062	MS	MO	V	E
	2,7	0,22	3,6	0,15	2,5	0	10	10	10,5	11,2	SCS374A017	SCS374A017	MS	MO	V	E	



E

OPTIONS

- Valves can also be supplied with FPM (fluoroelastomer) and EPDM (ethylene-propylene) seals and discs. Use the appropriate optional suffix letter for identification
- Waterproof enclosure with embedded screw terminal coil according to protection class IP67, CEE-10 (prefix WP)
- Explosionproof enclosures for use in zones 1/21-2/22, categories 2-3 to ATEX Directive 94/9/EC (see "Explosionproof solenoids" section)
- Class H coil (10,5W/11,2W coils), prefix HT
- Button type manual operator, use TPL 20655, example: SCXS374A017 TPL 20655 (All versions available)
- Oxygen service with seals and disc in FPM, suffix N, example:SCS374A016NV
- Brass subbases: Single (1/4), catalogue number **36101001** / Joinable (1/4), catalogue number **36101027**
- Aluminium subbases: Single (1/2), catalogue number **36101029**
Supply rail (1/2), 2 to 6 (**36101030** to **36101034**), 8 (**36101035**), 10 (**36101036**)
- Other pipe connections are available on request
- Plug with visual indication and peak voltage suppression or with cable length of 2 m (see Solenoids, Coils & Accessories section)

INSTALLATION

- The solenoid valves can be mounted in any position without affecting operation
- Mounting on single or joinable subbase or on supply rail, four mounting holes
- ATEX 94/9/EC versions can be installed on single or joinable brass subbases
- Pipe connection G 1/8 has standard thread according to ISO 228/1
1/4 and 1/2 subbases pipe connections (G*) have standard combination thread according to ISO 228/1 and ISO 7/1
- Installation/maintenance instructions are included with each valve

SPARE PARTS KIT

catalogue number	spare parts kit no.		
	~	=	maintained manual operator
SCS374A001 / 002	C140160	-	C140048
SCS374A061 / 062	-	C140161	C140048
SCS374A016 / 017	C140160	C140160	C140048

(1) Standard suffixes E and V are also applicable to kits.

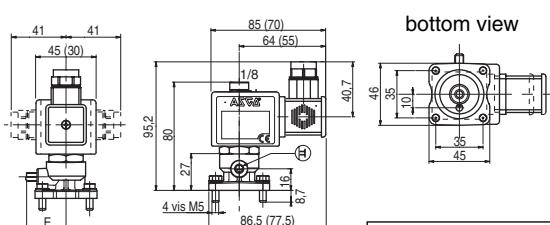
ORDERING EXAMPLES:

SC	S	374	A	001	230V / 50 Hz
SC	S	374	A	061	MS 24V / DC
SC	S	374	A	016	MO 24V / DC
SC	S	374	A	016	MO 230V / 50 Hz

prefix _____
pipe thread _____
basic number _____
voltage _____
suffix _____

DIMENSIONS (mm), WEIGHT (kg)

TYPE 01-02
Prefix "SC" Solenoid
Epoxy moulded
IEC 335/ ISO 4400
IP65



E (mm) manual operator		
screw	impulse	button
21,5	34	30

ORDERING EXAMPLES KITS:

C140160	
C140160	V
C140160	E

basic number _____
suffix _____

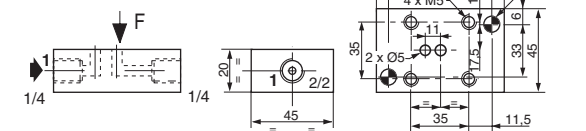
type	prefix option	weight
01	SC	0,335 (2)
02	SC	0,527 (2)
03	single subbase	0,453
04	single subbase	0,228

(2) Incl. coil(s) and connector(s)

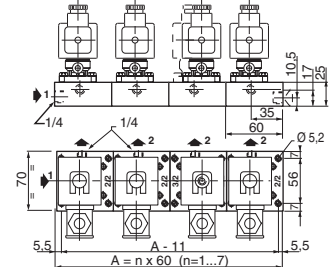
type	weight								
	number of valves								
	2	3	4	5	6	7	8	9	10
05	1,487	2,251	3,015	3,779	4,543	5,307	-	-	-
06	0,379	0,530	0,681	0,832	0,983	-	1,285	-	1,587

TYPE 03
Single brass subbase

36101001

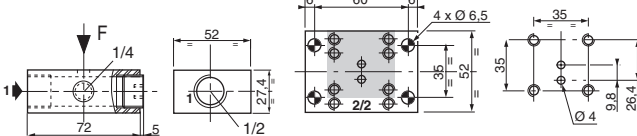


TYPE 05
Joinable brass subbases
36101027 (unit)
2/2 way can be combined with 3/2 way



TYPE 04
Single aluminium subbase

36101029



TYPE 06
Aluminium supply rails
36101030..1036
2/2 way can be combined with 3/2 way

