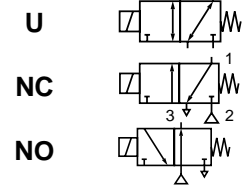




SOLENOID VALVES

direct operated
heavy duty, lever and disc
1/8 to 1/2



3/2
Series
300

FEATURES

- Especially suited for heavy duty industrial 3-way applications
- Valves do not require a minimum operating pressure
- The solenoid valves satisfy all relevant EC directives

GENERAL

Differential pressure 0 - 38 bar [1 bar = 100 kPa]
Maximum viscosity 65 cSt (mm²/s)
Response times 20 - 40 ms

fluids (*)	temperature range (TS)	seal materials and discs (*)
air, inert gas, water, oil	-20 to +90°C -20 to +90°C	stainless steel - stainless steel NBR - PA

MATERIALS IN CONTACT WITH FLUID

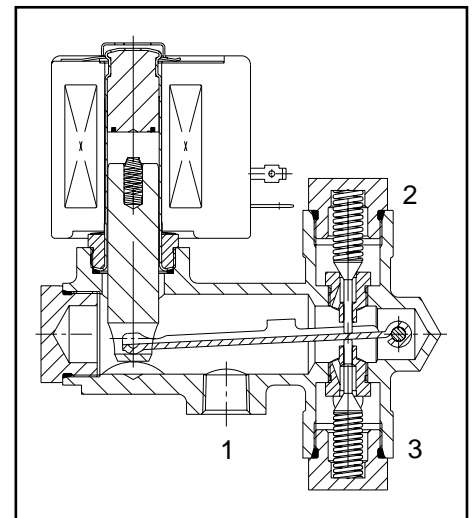
(*) Ensure that the compatibility of the fluids in contact with the materials is verified

Body Brass
Core tube, springs, lever Stainless steel
Core and plugnut Stainless steel
Seats NBR or Stainless steel
Seals PA or Stainless steel
Discs NBR
Shading coil Copper

ELECTRICAL CHARACTERISTICS

Coil insulation class F or H
Connector Spade plug (cable Ø 6-10 mm)
Connector specification ISO 4400 / EN 175301-803, form A
Electrical safety IEC 335
Standard voltages DC (=): 24V
(Other voltages and 60 Hz on request) AC (~): 24V - 115V - 230V / 50 Hz

coil type	power ratings				ambient temperature ranges (TS) (°C)	protection
	inrush ~	holding ~		hot/cold =		
		(VA)	(VA)			
CM12-FB	240	43	20	-	-20 to +50	moulded IP65
CM12-HP	250	57	28	25 / 36,2	-20 to +25	moulded IP65



SPECIFICATIONS

pipe size	orifice size	flow coefficient Kv		operating pressure differential (bar)								coil type		catalogue number	OPTIONAL				
				min.	maximum (PS)						function				suffix	FPM	EPDM	CR	PTFE
					function NC	function NO	function Universal	~	=	~									
NPT	(mm)	(m ³ /h)	(l/min)	~	=	~	=	~	=	~	=								
Brass body, stainless steel seats and discs																			
1/8	3,2	0,11	1,8	0	38	17	38	17	21	9	CM12-FB	CM12-HP	SCB300D055						
	4,8	0,30	4,9	0	17	9	17	9	10	4	CM12-FB	CM12-HP	SCB300D003						
1/4	4,8	0,30	4,9	0	17	9	17	9	10	4	CM12-FB	CM12-HP	SCB300D058						
	6,4	0,39	6,5	0	13	5	13	5	6	2	CM12-FB	CM12-HP	SCB300A081						
3/8	6,4	0,39	6,5	0	17	-	17	-	8	-	CM12-FB	CM12-HP	SCB300D061						
	6,4	0,39	6,5	0	13	5	13	5	6	2	CM12-FB	CM12-HP	SCB300A082						
	8,0	0,64	10,6	0	8	3	8	3	4,0	1,5	CM12-FB	CM12-HP	SCB300D064						
	9,0	0,86	14,3	0	5	2	5	2	2,5	1,0	CM12-FB	CM12-HP	SCB300D072						
1/2	8,0	0,64	10,6	0	8	3	8	3	4,0	1,5	CM12-FB	CM12-HP	SCB300D068						
	9,0	0,86	14,3	0	5	2	5	2	2,5	1,0	CM12-FB	CM12-HP	SCB300D076						
Brass body, NBR seats and PA discs																			
1/4	4,8	0,21	3,5	0	17	9	17	9	10	4	CM12-FB	CM12-HP	SCB300D058R	V					
	6,4	0,33	5,5	0	10	5	10	5	5	2	CM12-FB	CM12-HP	SCB300A081R	V					
3/8	6,4	0,33	5,5	0	10	5	10	5	5	2	CM12-FB	CM12-HP	SCB300A082R	V					
	8,0	0,45	7,5	0	8	3	8	3	4	1,5	CM12-FB	CM12-HP	SCB300D064R	V					
1/2	8,0	0,45	7,5	0	8	3	8	3	4	1,5	CM12-FB	CM12-HP	SCB300D068R	V					

(1) Use the suffix to indicate the function, example: SCB300D058RU (universal)

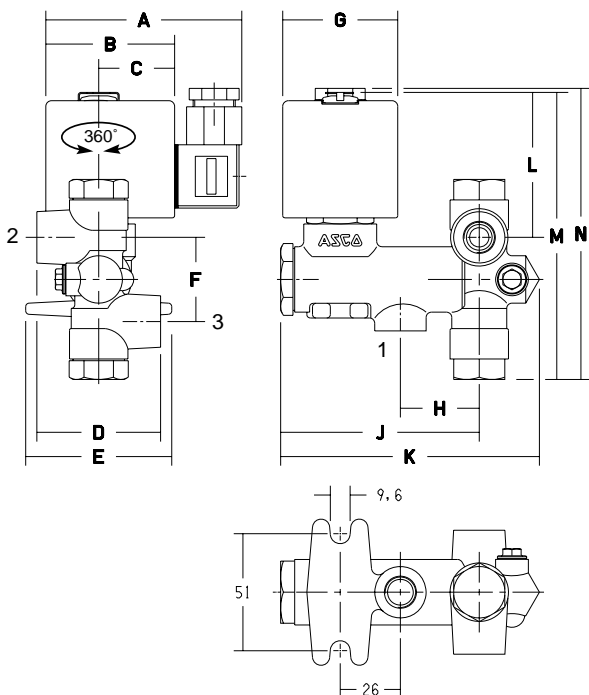
OPTIONS

- Valves can also be supplied with FPM (fluorelastomer) seals. Use the appropriate optional suffix letter for identification
- Waterproof enclosure with embedded screw terminal coils and Pg 13,5 cable gland to meet CEE-10 (IP67)
- Explosionproof enclosures for hazardous locations according to "ATEX/CENELEC" and national standards
- Explosionproof and watertight enclosures according to "NEMA" standards
- Compliance with "UL" and "CSA" standards
- Manual operator
- Plug with visual indication and peak voltage suppression or with cable length of 2m

INSTALLATION

- The valve must be mounted vertical with solenoid upright
- Integral mounting facility
- Pipe connection identifier is: B = NPT (ANSI 1.20.3)
- The third digit in the catalogue number indicates the standard pipe connection
- Other pipe threads are available on request
- Installation/maintenance instruction are included with each valve
- Spare Parts Kit and replacement coils are available

DIMENSIONS (mm), WEIGHT (kg)



catalogue number SC B300		A	B	C	D	E	F	G	H	J	K	L	M	N	weight (1)
D055, D003 D058, A081 D061, A082	~	86	56	33	54	64	37	50	34	86	113	62	124	124	1,2
D009, D058R A081R, A082 R	=	109	56	81	54	64	37	50	34	86	113	62	124	124	1,2
D064, D072 D068, D076	~	86	56	33	54	64	48	50	34	86	113	62	150	150	1,4
D064R, D068R	=	109	56	81	54	64	48	50	34	86	113	62	150	150	1,4

(1) incl. coil and connector

All leaflets are available on: www.ascojoucomatic.com