

FEATURES

- Drilled blocs for machine tool manufacturers
- Suitable for dosing/filling applications and industrial washing machines
- Installation on common rail with distribution or mixing flow function
- Compact solenoid valve for easy installation
- Epoxy moulded coil for general service applications
- Two maximum pressure ratings depending on coil power
- AC/DC interchangeability of the solenoid head without any need for disassembly of the valve
- Three manual operator versions
- Flexible installation on joinable subbases
- The solenoid valves satisfy all relevant EC directives

GENERAL

Differential pressure See «SPECIFICATIONS» [1 bar =100 kPa]
Maximum viscosity 40 cSt (mm²/s)
Response time 8 - 20 ms

fluids (*)	temperature range (TS)	seal materials (*)
air, inert gas, water, oil	- 25°C to + 80°C	NBR (nitrile)

MATERIALS IN CONTACT WITH FLUID

(*) Ensure that the compatibility of the fluids in contact with the materials is verified

Body Brass
Internal parts, spring Stainless steel
Seat Brass
Seals NBR
Shading coil Copper

ELECTRICAL CHARACTERISTICS

Coil insulation class F
Connector Spade plug (cable Ø 6-10 mm)
Connector specification ISO 4400 / EN 175301-803, form A
Electrical safety IEC 335
Electrical enclosure protection Moulded IP65 (EN 60529)
Standard voltages DC (=) : 24V - 48V
 (Other voltages and 60 Hz on request) AC (~) : 24V - 48V - 115V - 230V / 50 Hz

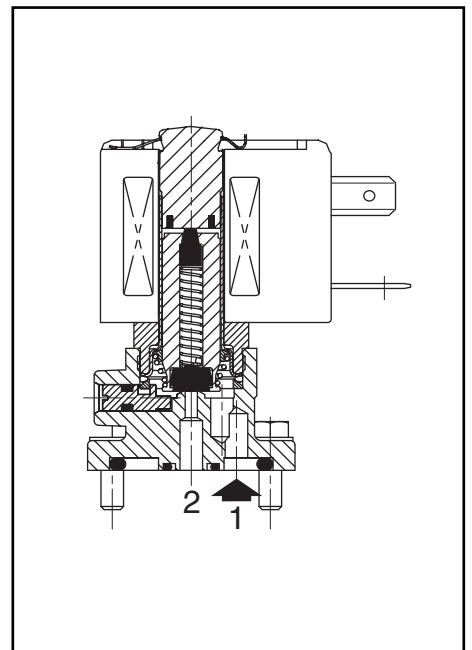
prefix option	power ratings				operator ambient temperature range (TS) (C°)	replacement coil		type ⁽¹⁾
	inrush ~		holding ~			~	=	
	(VA)	(VA)	(W)	(W)		230 V/50 Hz	24 V DC	
SC	23	14	8	8 / 10,8	-25 to + 60	43005096	43005099	01
	55	23	10,5	9/11,2	-40 to + 60	400425-117	400425-142	02

⁽¹⁾ Refer to the dimensional drawings on the following page.

SPECIFICATIONS

pipe size	orifice size	flow coefficient Kv		operating pressure differential (bar)				power coil (W)		catalogue number	options			
				min.	max. (PS)						maintained man. operator	impulse man. operator	FPM	EPDM
					air, water, oil (*)									
(G*)	(mm)	(m³/h)	(l/min)		~	=		~	=	~/=				
NC - Normally closed														
pad mounting	2	0,11	1,8	0	40	15	40	8,0	10,8	SCS272A001	MS	MO	V	E
	2	0,11	1,8	0	40	40	40	10,5	11,2	SCS272A016	MS	MO	V	E
	2,7	0,22	3,6	0	30	4	4	8,0	10,8	SCS272A002	MS	MO	V	E
	2,7	0,22	3,6	0	40 (30)	15	15	10,5	11,2	SCS272A017	MS	MO	V	E
	3,8	0,32	5,3	0	15	2	2	8,0	10,8	SCS272A003	MS	-	V	E
	3,8	0,32	5,3	0	20 (15)	8	8	10,5	11,2	SCS272A018	MS	-	V	E
	4,5	0,42	7	0	10	1,5	1,5	8,0	10,8	SCS272A004	MS	-	V	E
	4,5	0,42	7	0	16 (10)	5	5	10,5	11,2	SCS272A019	MS	-	V	E
	5,5	0,63	10,5	0	6	1	1	8,0	10,8	SCS272A005	MS	-	V	E
	5,5	0,63	10,5	0	10 (6)	2	2	10,5	11,2	SCS272A020	MS	-	V	E

() Allowable operating pressure differential with operator type "PV".



OPTIONS

- Valves can also be supplied with FPM (fluoroelastomer) and EPDM (ethylene-propylene) seals and discs. Use the appropriate optional suffix letter for identification
- Waterproof enclosure with embedded screw terminal coil according to protection class IP67, CEE-10 (prefix WP)
- Explosionproof enclosures for use in zones 1/21-2/22, categories 2-3 to ATEX Directive 94/9/EC (see "Explosionproof solenoids" section)
- Class H coil (10,5W/11,2W coils), prefix HT
- Button type manual operator, use TPL 20655, example: SCXS272A017 TPL 20655 (available for all versions)
- Oxygen service with seals and disc in FPM, suffix NV, example: SCS272A017NV
- Brass subbases: Single (1/4), catalogue number **36101001** / Joinable (1/4), catalogue number **36101027**
- Aluminium subbases: Single (1/2), catalogue number **36101029**
Supply rail (1/2), 2 to 6 (**36101030** to **36101034**), 8 (**36101035**), 10 (**36101036**)
- Other pipe connections are available on request
- Plug with visual indication and peak voltage suppression or with cable length of 2 m (see Solenoids, Coils & Accessories section)

INSTALLATION

- The solenoid valves can be mounted in any position without affecting operation
- Mounting on single or joinable subbase or on supply rail, four mounting holes
- ATEX 94/9/EC versions can be installed on single or joinable brass subbases
- 1/4 and 1/2 subbases pipe connections (G*) have standard combination thread according to ISO 228/1 and ISO 7/1
- Installation/maintenance instructions are included with each valve

SPARE PARTS KIT

catalogue number	spare parts kit no.		
	~	=	maintained manual operator
all catalogue numbers	C140159	C140159	C140048

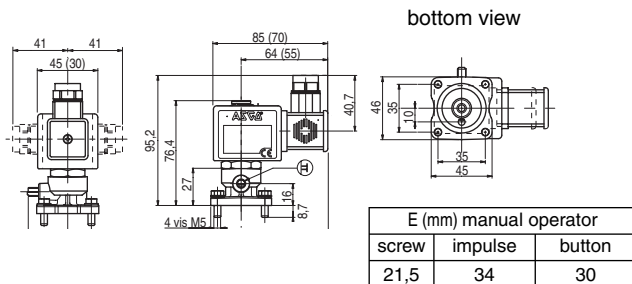
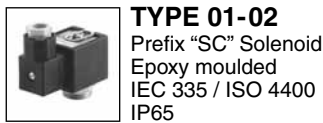
(1) Standard prefixes/suffixes are also applicable to kits.

ORDERING EXAMPLES:

SC	S	272	A 002	230V / 50 Hz
SC	S	272	A 002	MS 24V / DC
SC	S	272	A 017	MO 24V / DC
SC	S	272	A 017	MO 230V / 50 Hz

prefix: SC, pipe thread: S, basic number: 272, manual operator: A, voltage: 002, suffix: MS, MO

DIMENSIONS (mm), WEIGHT (kg)



ORDERING EXAMPLES KITS:

C140159		
C140159	V	
C140159	E	

basic number: C140159, suffix: V, E

type	prefix option	weight
01	SC	0,337 (1)
02	SC	0,529 (1)
03	single subbase	0,453
04	single subbase	0,228

(1) Incl. coil(s) and connector(s)

type	weight									
	number of valves									
	2	3	4	5	6	7	8	9	10	
05	1,487	2,251	3,015	3,779	4,543	5,307	-	-	-	
06	0,379	0,530	0,681	0,832	0,983	-	1,285	-	1,587	

