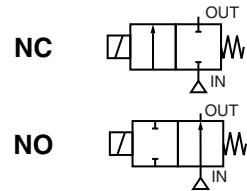




SOLENOID VALVES

direct operated
for high pressure fluids
3/8 to 3/4



2/2
Series
030

FEATURES

- For gas pilot control on industrial power boilers and low pressure gas control on gas-fired ovens and furnaces
- The normally open type is particularly suited for venting systems in gas installations
- Brass bodied low pressure valves designed to provide maximum flow
- Direct lift solenoid valves have a resilient soft seating for absolute tight shut-off on low pressures
- The solenoid valves do not require a minimum operating pressure
- The solenoid valves satisfy all relevant EC directives

GENERAL

Differential pressure See «SPECIFICATIONS» [1 bar = 100 kPa]
Response time 5 - 40 ms

| fluids (*) | temperature range (TS) | seal materials (*) |
|-----------------|------------------------|--------------------|
| air, gas, water | - 20°C to + 90°C | NBR (nitrile) |



MATERIALS IN CONTACT WITH FLUID

(*) Ensure that the compatibility of the fluids in contact with the materials is verified

| | |
|-------------------------|-----------------|
| Body | Brass |
| Core tube | Stainless steel |
| Core and plugnut | Stainless steel |
| Core spring | Stainless steel |
| Seat | Brass |
| Seals | NBR |
| Discs | NBR |
| Shading coil | Copper |

ELECTRICAL CHARACTERISTICS

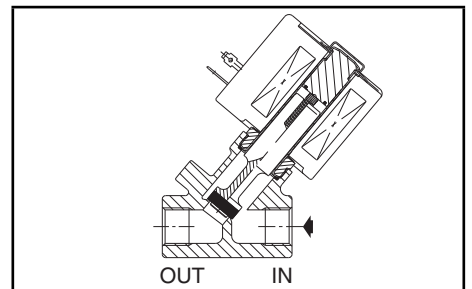
Coil insulation class F
Connector Spade plug (cable Ø 6-10 mm)
Connector specification ISO 4400 / EN 175301-803, form A
Electrical safety IEC 335
Electrical enclosure protection Moulded IP65 (EN 60529)
Standard voltages DC (=) : 24V - 48V
(Other voltages and 60 Hz on request) AC (~) : 24V - 48V - 115V - 230V / 50 Hz

| prefix option | power ratings | | | | operator ambient temperature range (TS) (C°) | replacement coil | | type ⁽¹⁾ |
|---------------|---------------|-----------|------|------------|--|------------------|------------|---------------------|
| | inrush ~ | holding ~ | | hot/cold = | | ~ | = | |
| | (VA) | (VA) | (W) | (W) | | 230 V/50 Hz | 24 V DC | |
| SC | 34 | 15,6 | 6 | 7 / 9,7 | -20 to + 75 | 400325-117 | 400325-142 | 01 |
| | 55 | 23 | 10,5 | 9/11,2 | -20 to + 75 | 400425-117 | 400425-142 | 02 |
| | 78 | 35 | 16,7 | - | -20 to + 50 | 400425-217 | - | 02 |
| | 110 | 33,6 | 15,4 | 12/16,8 | -20 to + 75 | 400525-117 | 400625-142 | 03 |
| | 240 | 43 | 20 | - | -20 to + 50 | 400525-217 | - | 03 |

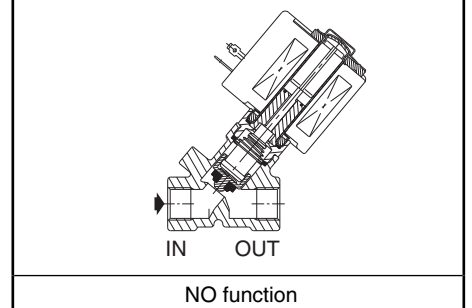
⁽¹⁾ Refer to the dimensional drawings on the following page.

SPECIFICATIONS

| pipe size | orifice size | flow coefficient Kv | | min. | operating pressure differential (bar) | | | | power coil (W) | | catalogue number | options | | | |
|-----------------------------|--------------|---------------------|---------|------|---------------------------------------|------|-----------|------|----------------|------|------------------|------------|-----|------|----|
| | | | | | max. (PS) | | | | | | | maintained | FPM | EPDM | CR |
| | | | | | air/gas (*) | | water (*) | | | | | | | | |
| Rp | (mm) | (m³/h) | (l/min) | | ~ | = | ~ | = | ~ | = | ~/= | | | | |
| NC - Normally closed | | | | | | | | | | | | | | | |
| 3/8 | 9 | 1,5 | 25 | 0 | 0,5 | 0,2 | 0,35 | 0,2 | 6 | 9,7 | SCE030B010 | - | V | E | J |
| | | | | | 1 | 0,25 | 1 | 0,25 | 10,5 | 11,2 | SCE030B013 | - | V | E | J |
| 1/2 | 11 | 2,4 | 40 | 0 | 0,3 | - | 0,4 | - | 6 | - | SCE030A016 | - | V | E | J |
| | | | | | 1 | 0,4 | 1 | 0,4 | 15,4 | 16,8 | SCE030A017 | - | V | E | J |
| 3/4 | 19 | 4,3 | 71,7 | 0 | 0,15 | 0,07 | 0,15 | 0,07 | 10,5 | 11,2 | SCE030B003 | - | V | E | J |
| | | | | | 0,3 | - | 0,3 | - | 16,7 | - | SCE030B043 | - | V | E | J |
| NO - Normally open | | | | | | | | | | | | | | | |
| 3/8 | 9 | 1,4 | 23,3 | 0 | 1 | 0,17 | 1 | 0,15 | 15,4 | 16,8 | SCE030A070 | - | V | E | J |
| 1/2 | 11 | 1,9 | 31,7 | 0 | 1 | 0,17 | 1 | 0,15 | 20 | 16,8 | SCE030A071 | - | V | E | J |



NC function



NO function

OPTIONS

- Valves can also be supplied with FPM (fluoroelastomer), EPDM (ethylene-propylene) and CR (chloroprene) seals and discs. Use the appropriate optional suffix letter for identification
- Several worldwide gas approvals, see combustible gas section
- Waterproof enclosure with embedded screw terminal coil according to protection class IP67, CEE-10
- Explosionproof enclosures for use in zones 1/21-2/22, categories 2-3 to ATEX Directive 94/9/EC (see "Explosionproof solenoids" section)
- Electrical enclosures according to "NEMA" standards are available
- Compliance with "UL", "CSA" and other local approvals available on request
- Mounting brackets, suffix MB
- Other pipe connections are available on request
- Plug with visual indication and peak voltage suppression or with cable length of 2 m (see Solenoids, Coils & Accessories section)

INSTALLATION

- The solenoid valves can be mounted in any position without affecting operation
- Pipe connection identifier is E = Rp (ISO 7/1)
- Installation/maintenance instructions are included with each valve

SPARE PARTS KIT & ACCESSORIES

| catalogue number | spare parts kit no. | | mounting bracket no. |
|------------------|---------------------|---------|----------------------|
| | ~ | = | |
| SCE030B003 | C302791 | C302818 | 038713-000 |
| SCE030B010 | C302787 | C302815 | 093200-001 |
| SCE030B013 | C302788 | C302816 | 093200-001 |
| SCE030A016 | C302789 | - | 093200-001 |
| SCE030A017 | C302790 | C302817 | 093200-001 |
| SCE030B043 | C302791 | - | 038713-000 |
| SCE030A070 | C302797 | C302824 | 093200-001 |
| SCE030A071 | C302798 | C302824 | 093200-001 |

⁽¹⁾ Standard prefixes/suffixes are also applicable to kits.
- Not available

ORDERING EXAMPLES:

| | | | | | |
|----|---|-----|---|-----|-----------------|
| SC | E | 030 | B | 003 | 230V / 50 Hz |
| SC | E | 030 | B | 013 | MO 115V / 50 Hz |
| SC | E | 030 | A | 017 | V 24V / DC |
| SC | E | 030 | A | 071 | 230V / 50 Hz |

prefix pipe thread basic number voltage suffix

ORDERING EXAMPLES KITS:

| | |
|------------------------|---|
| C302791 ⁽¹⁾ | |
| C302816 | V |
| C302817 | E |

basic number suffix

DIMENSIONS (mm), WEIGHT (kg)



TYPE 01-02-03

Prefix "SC" Solenoid
Epoxy moulded
IEC 335 / ISO 4400
IP65

Type 01: SCE030B010/A016

Type 02: SCE030B013

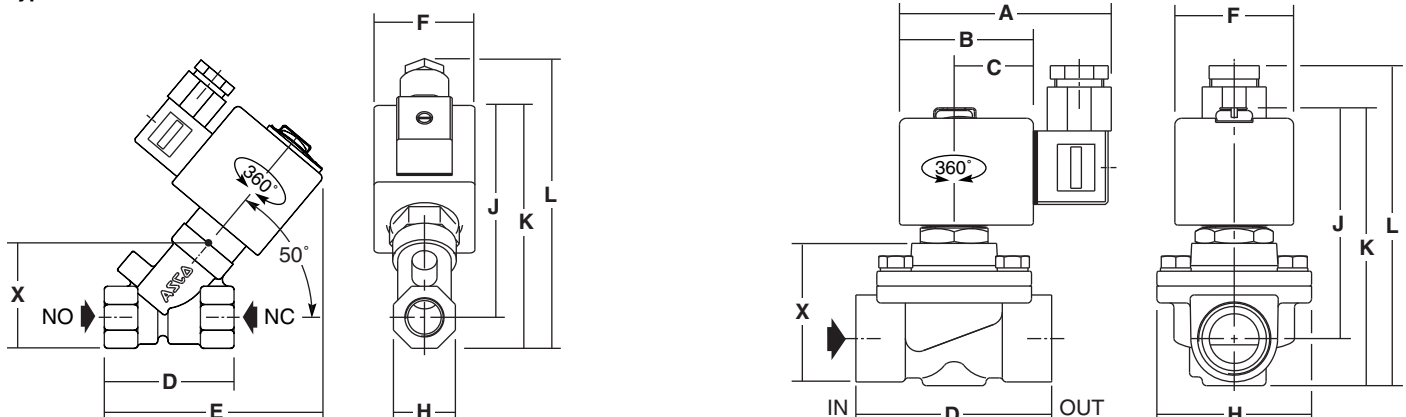
Type 03: SCE030A017/A070/A071



TYPE 02

Prefix "SC" Solenoid
Epoxy moulded
IEC 335 / ISO 4400
IP65

SCE030B003/B043



| type | prefix option | catalogue number | A | B | C | D | E | F | H | J | K | L | X | weight ⁽²⁾ |
|------|---------------|-------------------|----|----|----|----|-----|----|----|----|-----|-----|----|-----------------------|
| 01 | SC | SCE030B010 | - | - | - | 48 | 75 | 39 | 22 | 77 | 88 | 122 | 36 | 0,5 |
| | | SCE030A016 | - | - | - | 58 | 87 | 39 | 28 | 82 | 96 | 130 | 49 | 0,5 |
| 02 | SC | SCE030B013 | - | - | - | 48 | 80 | 45 | 22 | 84 | 95 | 126 | 36 | 0,5 |
| | | SCE030B003 / B043 | 80 | 50 | 30 | 73 | - | 45 | 58 | 87 | 104 | 114 | 54 | 0,9 |
| 03 | SC | SCE030A017 | - | - | - | 58 | 98 | 50 | 28 | 94 | 108 | 128 | 42 | 0,9 |
| | | SCE030A070 | - | - | - | 48 | 88 | 50 | 22 | 97 | 108 | 126 | 36 | 0,7 |
| | | SCE030A071 | - | - | - | 58 | 108 | 50 | 28 | 99 | 113 | 131 | 42 | 0,8 |

⁽²⁾ including coil and connector.

All leaflets are available on: www.asconumatics.eu